

RATINGS: **SELECT MODEL BASED ON ACTUAL MOTOR FULL LOAD CURRENT**

The Unidrive SP is available in panel mount, free standing and modular platforms.

Panel Mount Drives - Drives from 0.5 to 200 hp used for any AC Drive application. Shipped as drive only, and to be mounted into customer machine enclosure with other power/control components.

Free Standing Drives - Pre-Engineered drive packages from 150 to 1000 hp in IP21 enclosure (standard), perfect for many standard applications (i.e. fans, pumps, conveyors, etc.).

SPM Drives - Modular drives for OEMs and system integrators. Range from 60 to 2900 hp. See the Engineered Systems section for complete details.



Panel Mount Drives are available in seven frame sizes

PANEL MOUNT RATINGS

Unidrive SP		Motor HP	Continuous Output Current	Peak Output Current	Motor HP	Continuous Output Current	Peak Output Current	
208/240 VAC		Normal Duty			Heavy Duty			
Order Code	Frame	HP @ 230V	I _N (A)	(A)	HP @ 230V	I _H (A)	Open loop (A)	Closed loop (A)
SP0201-XXX	0	0.5	2.2	3.3	0.5	2.2	3.3	3.9*
SP0202-XXX		0.75	3.1	4.7	0.75	3.1	4.7	5.4*
SP0203-XXX		1	4	6	1	4	6	7*
SP0204-XXX		1.5	5.7	8.6	1.5	5.7	8.6	10.2*
SP0205-XXX		2	7.5	11.3	2	7.5	11.3	13.1*
SP1201-XXX	1	1.5	5.2	5.7	1	4.3	6.4	7.5
SP1202-XXX		2	6.8	7.5	1.5	5.8	8.7	10.1
SP1203-XXX		3	9.6	10.6	2	7.5	11.3	13.1
SP1204-XXX		3	11	12.1	4	10.6	15.9	18.5
SP2201-XXX	2	5	15.5	17.0	4	12.6	18.9	22.0
SP2202-XXX		7.5	22	24.2	5	17	25.5	29.7
SP2203-XXX		10	28	30.8	7.5	25	37.5	43.7
SP3201-XXX	3	15	42	46.2	10	31	46.5	54.2
SP3202-XXX		20	54	59.4	15	42	63	73.5
SP4201-XXX	4	25	68	74.8	20	56	84	98
SP4202-XXX		30	80	88	25	68	102	119
SP4203-XXX		40	104	114.4	30	80	120	140
SP5201-XXX	5	50	130	143	40	105	157.5	183.8
SP5202-XXX		60	154	169.4	50	130	195	227.5

Note: Motor horsepower ratings are based on typical motor current ratings. Actual motor currents should be checked before selecting a particular drive. For some high efficiency motors, the required full load motor current may allow the selection of a smaller drive than is indicated in the chart. The same consideration would also apply for motors with less common power or voltage ratings.

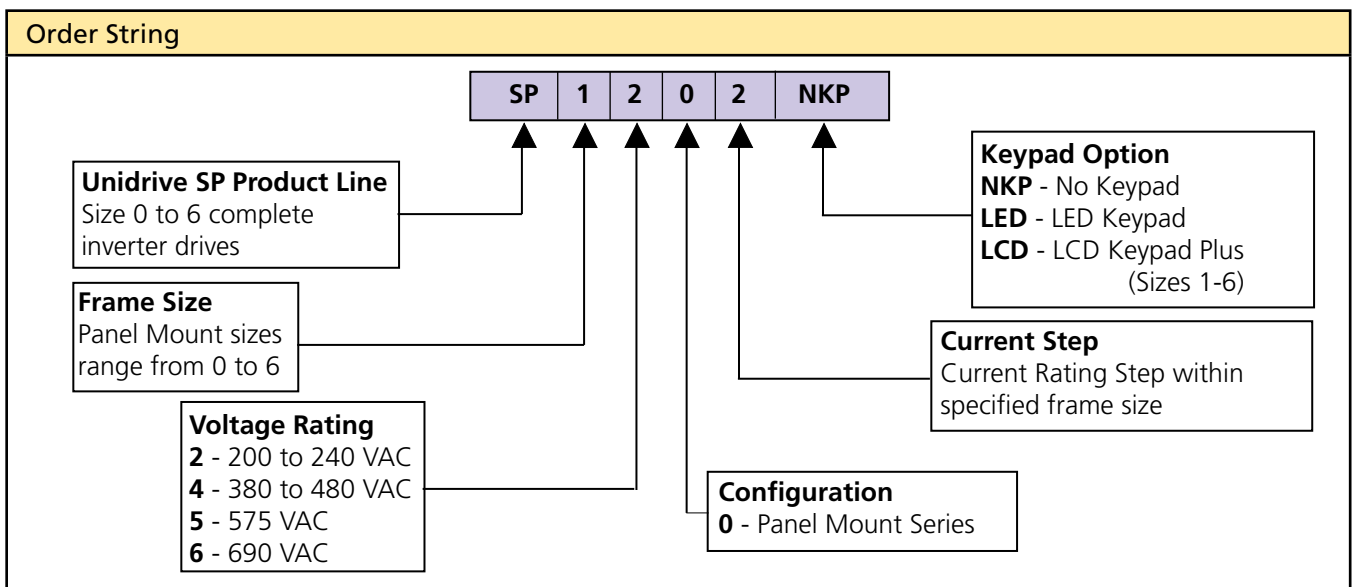
* Unidrive SP Zero 230 VAC models can operate on single or three phase input power. 175% peak currents are valid only when 3 phase input power is supplied. When supplying single phase input power the maximum peak current is 150%.

Normal Duty	Suitable for most applications, current overload is set at 110% for 60 seconds. Where motor rated current is less than the drive rated continuous current, higher overloads are achieved.	Heavy Duty	Suitable for demanding applications, current overload is set at up to 175% for 40 seconds. Where motor rated current is less than the drive rated continuous current, higher overloads (200% or greater) are achieved.
--------------------	---	-------------------	--

PANEL MOUNT RATINGS (continued)

Unidrive SP		Motor HP	Continuous Output Current	Peak Output Current	Motor HP	Continuous Output Current	Peak Output Current	
380/480 VAC		Normal Duty			Heavy Duty			
Order Code	Frame	HP @ 460V	I _N (A)	(A)	HP @ 460V	I _N (A)	Open loop (A)	Closed loop (A)
SP0401-XXX	0	0.5	1.3	2.0	0.5	1.3	2.0	2.3
SP0402-XXX		0.75	1.7	2.6	0.75	1.7	2.6	3.0
SP0403-XXX		1	2.1	3.1	1	2.1	3.1	3.6
SP0404-XXX		1.5	3	4.5	1.5	3	4.5	5.2
SP0405-XXX		2	4.2	6.3	2	4.2	6.3	7.3
SP1401-XXX	1	1.5	2.8	3.0	1	2.1	3.1	3.6
SP1402-XXX		2	3.8	4.1	2	3	4.5	5.2
SP1403-XXX		3	5	5.5	3	4.2	6.3	7.3
SP1404-XXX		5	6.9	7.5	4	5.8	8.7	10.1
SP1405-XXX		5	8.8	9.6	5	7.6	11.4	13.3
SP1406-XXX		7.5	11	12.1	5	9.5	14.2	16.6
SP2401-XXX	2	10	15.3	16.8	10	13	19.5	22.7
SP2402-XXX		15	21	23.1	10	16.5	24.7	28.8
SP2403-XXX		20	29	31.9	15	25	34.5	40.2
SP2404-XXX		20	29	31.9	20	29	43.5	50.7
SP3401-XXX	3	25	35	38.5	25	32	48	56
SP3402-XXX		30	43	47.3	30	40	60	70
SP3403-XXX		40	56	61.6	30	46	69	80.5
SP4401-XXX	4	50	68	74.8	50	60	90	105
SP4402-XXX		60	83	91.3	60	74	111	129.5
SP4403-XXX		75	104	114.4	75	96	144	168
SP5401-XXX	5	100	138	151.8	100	124	186	217
SP5402-XXX		150	168	184.8	125	156	234	273
SP6401-XXX ¹	6	150	202	222.2	150	180	231	269
SP6402-XXX ¹		200	236	259.6	150	210	270	315

¹) Size 6 drives require a +24 VDC - 3.5A power supply for the heat sink fans not provided with unit. See the Options & Accessories section for available power supplies.



PANEL MOUNT RATINGS (continued)

Unidrive SP		Motor HP	Continuous Output Current	Peak Output Current	Motor HP	Continuous Output Current	Peak Output Current	
575 VAC		Normal Duty			Heavy Duty			
Order Code	Frame	HP @ 575V	I _N (A)	(A)	HP @ 575V	I _H (A)	Open loop (A)	Closed loop (A)
SP3501-XXX	3	5	5.4	5.9	3	4.1	6.1	7.1
SP3502-XXX		5	6.1	6.7	5	5.4	8.1	9.4
SP3503-XXX		7.5	8.4	9.2	5	6.1	9.1	10.6
SP3504-XXX		10	11	12.1	7.5	9.5	14.2	16.6
SP3505-XXX		15	16	17.6	10	12	18	21
SP3506-XXX		20	22	24.2	15	18	27	31.5
SP3507-XXX		25	27	29.7	20	22	33	38.5
SP4603-XXX	4	30	36	39.6	25	27	40.5	47.3
SP4604-XXX		40	43	47.3	30	36	54	63
SP4605-XXX		50	52	57.2	40	43	64.5	75.3
SP4606-XXX		60	62	68.2	50	52	78	91
SP5601-XXX	5	75	84	92.4	60	62	93	108.5
SP5602-XXX		100	99	108.9	75	84	126	147
SP6601-XXX ¹	6	125	125	137.5	100	100	130	150
SP6602-XXX ¹		150	144	158.4	125	125	162.5	187.5

Unidrive SP		Motor HP	Continuous Output Current	Peak Output Current	Motor HP	Continuous Output Current	Peak Output Current	
690 VAC		Normal Duty			Heavy Duty			
Order Code	Frame	HP @ 690V	I _N (A)	(A)	HP @ 690V	I _H (A)	Open loop (A)	Closed loop (A)
SP4601-XXX	4	25	22	24.2	20	19	28.5	33.3
SP4602-XXX		30	27	29.7	25	22	33	38.5
SP4603-XXX		40	36	39.6	30	27	40.5	47.3
SP4604-XXX		50	43	47.3	40	36	54	63
SP4605-XXX		60	52	57.2	50	43	55.7	75.2
SP4606-XXX		75	62	68.2	60	52	67.6	91
SP5601-XXX	5	100	84	92.4	75	62	93	108.5
SP5602-XXX		125	99	108.9	100	84	126	147
SP6601-XXX ¹	6	150	125	137.5	125	100	128	149
SP6602-XXX ¹		175	144	158.4	150	125	160	187

1) Size 6 drives require a +24 VDC - 3.5A power supply for the heat sink fans not provided with unit. See the Options & Accessories section for available power supplies.

Note: Motor horsepower ratings are based on typical motor current ratings. Actual motor currents should be checked before selecting a particular drive. For some high efficiency motors, the required full load motor current may allow the selection of a smaller drive than is indicated in the chart. The same consideration would also apply for motors with less common power or voltage ratings.

Normal Duty	Suitable for most applications, current overload is set at 110% for 60 seconds. Where motor rated current is less than the drive rated continuous current, higher overloads are achieved.	Heavy Duty	Suitable for demanding applications, current overload is set at up to 175% for 40 seconds (150% on Size 6). Where motor rated current is less than the drive rated continuous current, higher overloads (200% or greater) are achieved.
--------------------	---	-------------------	---