

### Standard Features:

- + Cast Iron frame and bearing brackets
- + Constant torque operation from 0 to base speed
- + Constant Horsepower to twice base speed
- + Normally-closed thermostats (one per phase)
- + UL Recognized and CSA Certified
- + Marathon provides 3 Year warranty (brake discs exempt)
- + **MT Discount Code**



HP	RPM @ 60Hz	Volts	Frame	Encl	Brake Rating (LB/FT)	Catalog Number	List Price	Weight (Lbs)	Lead-time (Days)	F.L. Amps	Dimension Sheet	Connection Diagram	Performance Data
1	1756	230/460	143TC	TENV	6	CTY986	\$2,080	67	5	3.0/1.5	104965-525	EE7308T	143THTN8036
2	1750	230/460	145TC	TENV	10	CTY987	\$2,317	77	5	5.8/2.9	104965-625	EE7308T	145THTN8043
3	1760	230/460	182TC	TENV	15	CTY988	\$3,034	120	5	8.2/4.1	SS69135-575	EE7308T	182THTS8048
5	1750	230/460	184TC	TENV	25	CTY989	\$3,657	131	5	13.0/6.5	SS69132-800	EE7308T	184THTS8056
7.5	1775	230/460	213TC	TENV	35	CTY990	\$4,583	226	5	21.0/10.5	SS88470-875	EE7308T	213THTS8071
10	1775	230/460	215TC	TENV	50	CTY991	\$5,446	332	5	26.0/13.0	SS88470-1000	EE7308T	215THTS8071
15	1772	230/460	254TC	TENV	75	CTY992	\$6,921	350	5	39.0/19.5	SS203666-1050	EE7308T	254THTNA8071
20	1768	230/460	256TC	TENV	105	CTY993	\$9,173	375	5	50.0/25.0	SS203867-1425	EE7308T	256THTNA8071

Contact Control Techniques for other configurations. Prices, Specifications and Availability are subject to change without notice.

### Encoders (Optional) for Motors

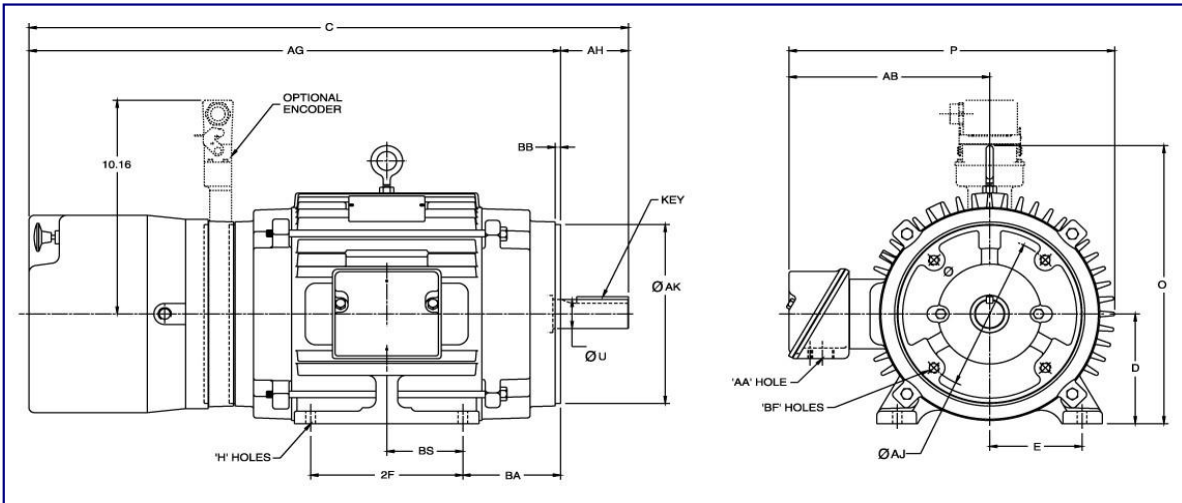
Encl	Frame	Brand / Model	PPR	Notes	Catalog Number	List Price	Leadtime (Days)
TENV	143-256	Northstar SL56	1024	Double C-Face, for use with CTY986,987	CTA786	\$3,117	10
		Northstar SL56	1024	Double C-Face, for use with CTY988	N/A	\$3,117	10
		Northstar SL85	1024	Double C-Face, for use with CTY989	N/A	\$3,741	10
		Northstar SL85	1024	Double C-Face, for use with CTY990,991	N/A	\$3,741	10
		Northstar SL85	1024	Double C-Face, for use with CTY992,993	N/A	\$3,741	10

### Brake Data for Motors

Nominal Static Torque	Solenoid Coil Size (AC)	AC Current	Coil Voltage @ 60 Hz			Sterns Series
			115	230	460	
1.5	4	Inrush	3.6	1.8	0.9	56,000
3		Holding	0.3	0.2	0.08	
6	K4	Inrush	4.3	2.2	1.1	
10		Holding	0.3	0.2	0.08	
15	6	Inrush	13.0	6.5	3.2	87,000
25		Holding	0.6	0.3	0.2	
50						
35	8	Inrush	17.6	8.8	4.2	
75		Holding	1.2	0.6	0.3	
105						

Data subject to change without notice

### Dimensions



FRAME	CONSTRUCTION	D	E	2F	H	O Max	P Max	U	AA	AB Max	AG Max	AH	AJ	AK	BA	BB	BF
143TC	CAST IRON	3.50	2.75	4.00	0.44	7.45	10.96	0.875	3/4	6.91	14.88	2.12	5.875	4.500	2.62	0.13	3/8-16
145TC	CAST IRON	3.50	2.75	5.00	0.44	7.45	10.96	0.875	3/4	6.91	15.88	2.12	5.875	4.500	2.62	0.13	3/8-16
182TC	CAST IRON	4.50	3.75	4.50	0.44	11.61	12.89	1.125	3/4	8.01	17.05	2.62	5.875	8.500	3.50	0.27	3/8-16
184TC	CAST IRON	4.50	3.75	5.50	0.44	11.70	12.91	1.125	3/4	8.00	22.96	2.62	5.875	8.500	4.25	0.27	3/8-16
213TC	CAST IRON	5.25	4.25	7.00	0.44	13.22	15.05	1.375	3/4	9.30	24.46	3.12	5.875	8.500	4.25	0.27	3/8-16
215TC	CAST IRON	5.25	4.25	8.25	0.44	13.22	15.05	1.375	3/4	9.30	25.71	3.12	7.250	8.500	4.75	0.27	1/2-13
254TC	CAST IRON	6.25	5.00	10.00	0.56	15.65	17.02	1.625	1 1/4	10.87	29.53	3.75	7.250	8.500	4.75	0.27	1/2-13
256TC	CAST IRON	6.25	5.00	10.00	0.56	14.09	19.15	1.625	1 1/4	12.00	29.53	3.75	7.250	8.500	4.75	0.27	1/2-13